

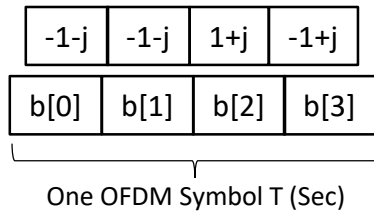
Implementation of OFDM Modulator

Assume QPSK 8 bits/OFDM Symbol or 4 QPSK symbols/OFDM Symbol

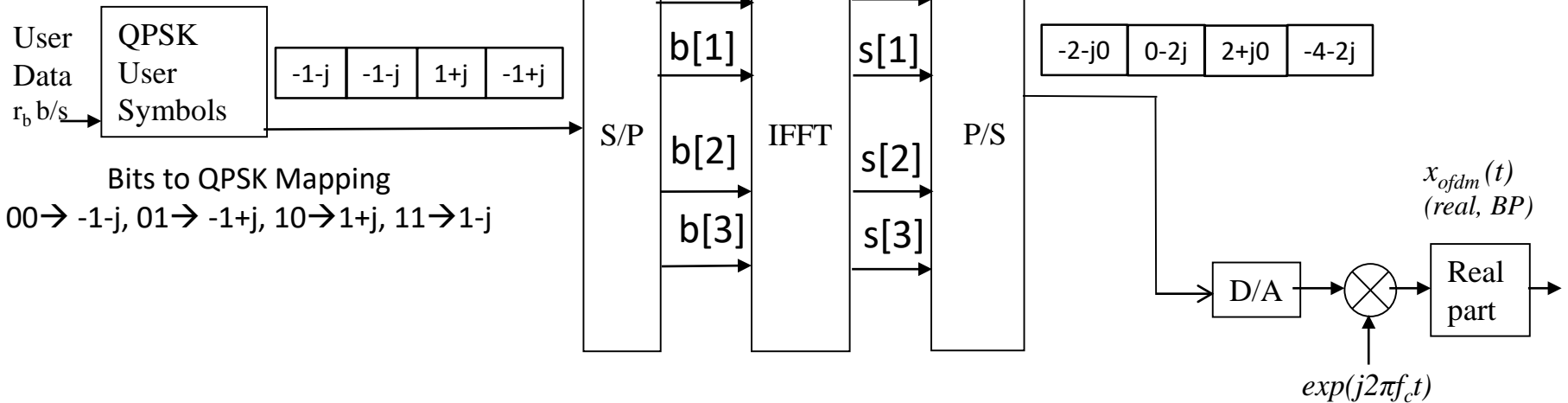
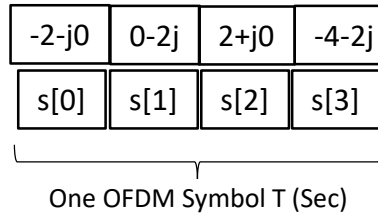
User Data @ r_b b/s

0	0	0	0	1	0	0	1
---	---	---	---	---	---	---	---

QPSK Symbols @ r_s symbol/s = $r_b/2$



IDFT of QPSK Symbols



Implementation of OFDM and Demodulator

